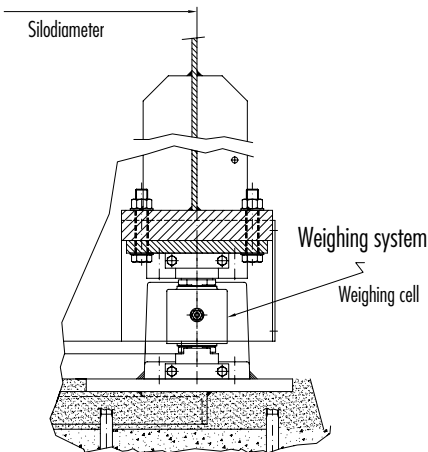


SILO ACCESSORIES  
SILO WEIGHING,  
CONSTRUCTION EX-PROTECTION

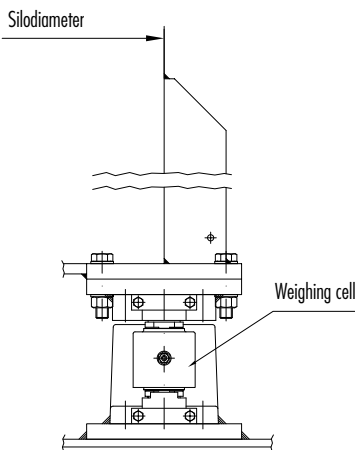
Material:	For items without material data, all parts are made of AlMg3, AlMgSi or Stainless Steel.
Standard accessories:	Accessories always include plant installation by P+W.

**Design example**

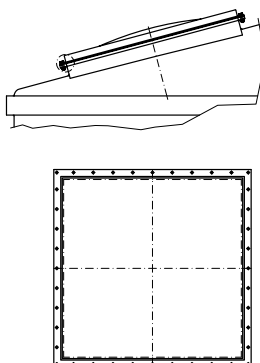
Anchoring on foundation



Anchoring on steel construction



Construction EX-Protection



Description	Article no.	
<b>Weighing system with weighing module and weighing cells</b>		
P+W Metallbau weighing system for standard frame silos. Weighing unit consists of weighing module with weighing cells incl. static adjustment of the silo body, as well as static lift-off protection, rotation protection and rain protection for the weighing cell. The weighing cells have a 12m connection cable. We recommend 4-point support for the silo! Junction box, weighing indicator and analogue output are to be provided on site.		
Weighing 01	d = 2400	WIEGE 01
Weighing 02	d = 3000	WIEGE 02
Weighing 03	d = 3500	WIEGE 03
Weighing 04	d = 4200	WIEGE 04
<b>Weighing system without weighing module and weighing cells</b>		
P+W Metallbau weighing system for standard frame silos. Static adjustment of the silo body with rain protection. Static lift-off protection and rotation protection will be determined based on weighing module. We must be informed about the weighing module type and the producer! The weighing modules and weighing cells provided on site must be able to handle the loads and forces determined in the statics. We recommend 4-point support for the silo! Weighing module with weighing cell as well as junction box, weighing indicator and analogue output must be provided on site!		
Weighing 12	d = 2400	WIEGE 12
Weighing 08	d = 3000	WIEGE 08
Weighing 06	d = 3500	WIEGE 06
Weighing 07	d = 4200	WIEGE 07
<b>Accessories for P+W weighing system for standard frame silos</b>		
Terminal box KPF		WIEGE.KPF.001
Terminal box KPF für EE x na II	T4...T3, IP65, T130°/T150°	WIEGE.KPF.002
Terminal box KPF für EE x ia IIC	T6...T4, T130°/T150°	WIEGE.KPF.003
Weighing indicator FT11	with serial interface RS232C	WIEGE.FT.001
Weighing indicator FT11	with analogue output (4-20mA, 0-10V)	WIEGE.FT.002
Weighing indicator FT11	with serial interface RS232C für EE x ia	WIEGE.FT.003
Weighing indicator FT11	with analogue output (4-20mA, 0-10V) für EE x ia	WIEGE.FT.004
<b>Construction protection/pressure relief equipment</b>		
Rupture disks or explosion flap should be used as pressure relief devices. These are based on the silo, the product and the application and are to be interpreted according to and with the help of the DIN Technical Report 140, as well as the rules of the EC-Guideline 94/9/EG (Atex 100a).		
<b>The following important points must be observed</b>		
<ul style="list-style-type: none"> <li>• Pressure relief devices may not be overbuilt</li> <li>• Setting foot on the silo roofs and filter houses during operation is forbidden -&gt; Danger!</li> <li>• Actuating the rupture disks or pressure flaps during the filling process should be prevented by pressure monitoring as well as pinch valves or pressure flaps.</li> <li>• No foot should be set on the rupture disks to avoid affecting the function.</li> <li>• The release in closed rooms is strictly prohibited.</li> <li>• Explosion disks must be installed according to their application.</li> <li>• Explosion ducts must be installed according to their application.</li> </ul>		
<b>Note:</b> We must be informed about EX-Protection zone and model!		
<b>All measurements in mm.</b>		